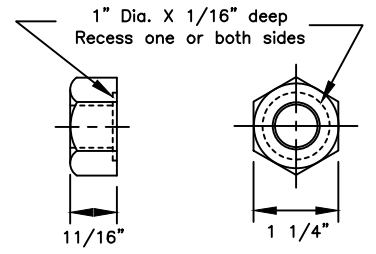
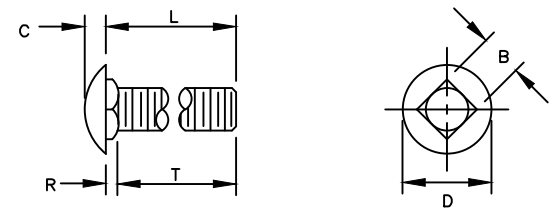


B	C	D	L (Length)	R	T (Thread Length)
15/16"	5/16"	1 5/16" or 1 7/16"	As Required	7/32"	As Required

5/8" BUTTONHEAD BOLT
(FBB01-05)

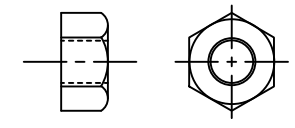


5/8" Dia. RECESSED HEX NUT
(FBB01-05)



B	C	D	L (Length)	R	T (Thread Length)
5/8"	5/16"	1 5/16"	As Required	3/16"	As Required

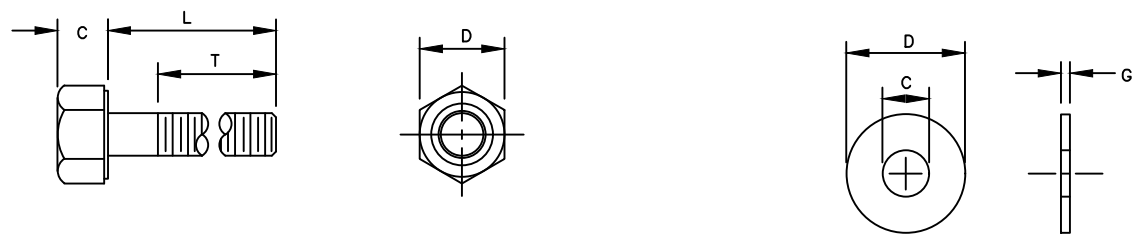
5/8" Dia. CARRIAGE BOLT
(FBC10-20)



STANDARD HEX NUT

GENERAL NOTES:

- All covered hardware shall comply with the Task Force 13 (TF13) Guide to Standardized Roadside Safety Hardware online publication. Designators given when possible in parentheses.

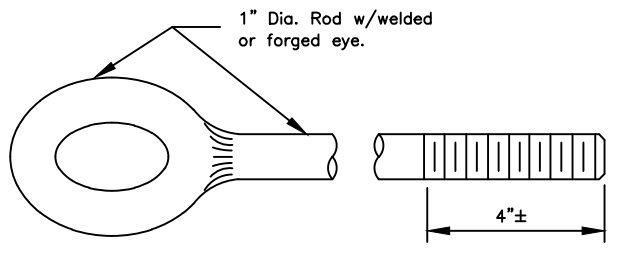


Bolt Size	C	D	L (Length)	T (Thread Length)
5/16"	—	—	1 1/2"	7/8"
5/16"	—	—	1"	1"
3/8"	—	—	7 1/2"	1 1/2"
1/2"	—	—	1 1/2"	1 1/2"
1/2"	—	—	1 1/4"	1 1/4"
5/8" H.S.	5/16"	7/8"	8"	1 1/2"
5/8"-11	—	—	1 1/2"	1 1/2"
3/4"	—	—	1 1/2"	1 1/2"
3/4"	—	—	As Required	2"
3/4" H.S.	15/32"	1 1/4"	2"	1 1/2"

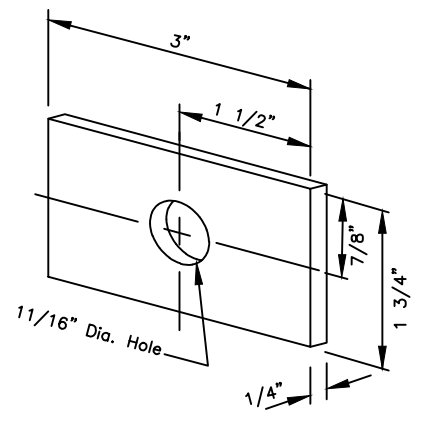
STANDARD HEX BOLTS

For Bolt #	C	D	G
3/8"	7/16"	1"	5/64"
1/2"	17/32"	1 1/16"	3/32"
1/2" H.S.	17/32"	1 1/16"	3/32"
5/8"	11/16"	1 3/4"	9/64"
3/4"	13/16"	1 15/32"	9/64"
3/4" H.S.	13/16"	2"	5/32"
1"	1 1/16"	2"	9/64"

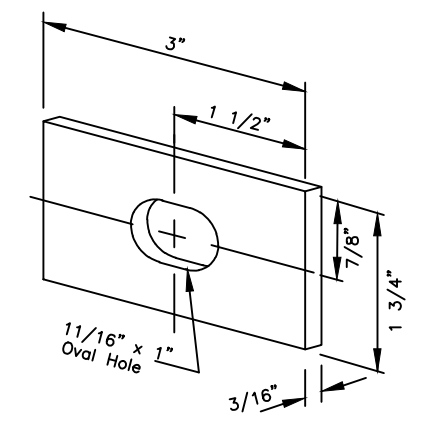
STANDARD STEEL WASHERS



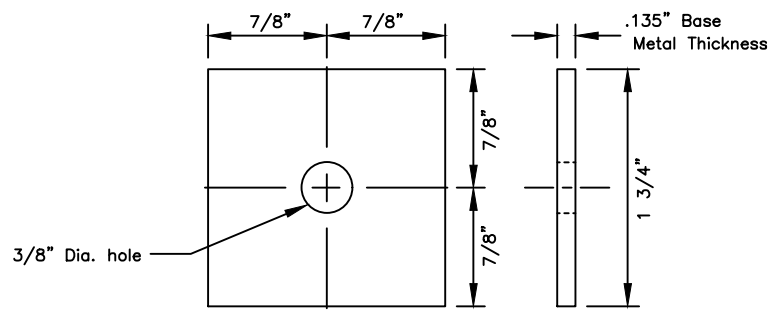
EYE BOLT



FLAT PLATE WASHER



RECTANGULAR POST BOLT WASHER
(FWR03)



SQUARE STEEL WASHER
(FWR01)

State of Alaska DOT&PF
ALASKA STANDARD PLAN

STANDARD GUARDRAIL
HARDWARE
(NUTS, BOLTS & WASHERS)

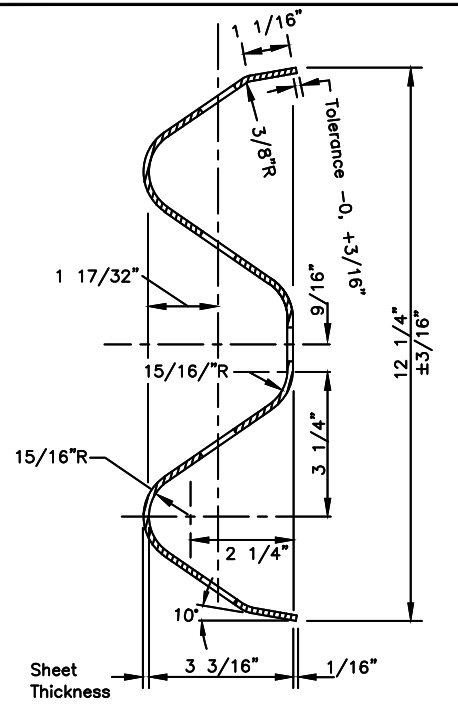
Adopted as an Alaska
Standard Plan by: *Carolyn Morehouse*
Carolyn Morehouse, P.E.
Chief Engineer

Adoption Date: 7/17/2020

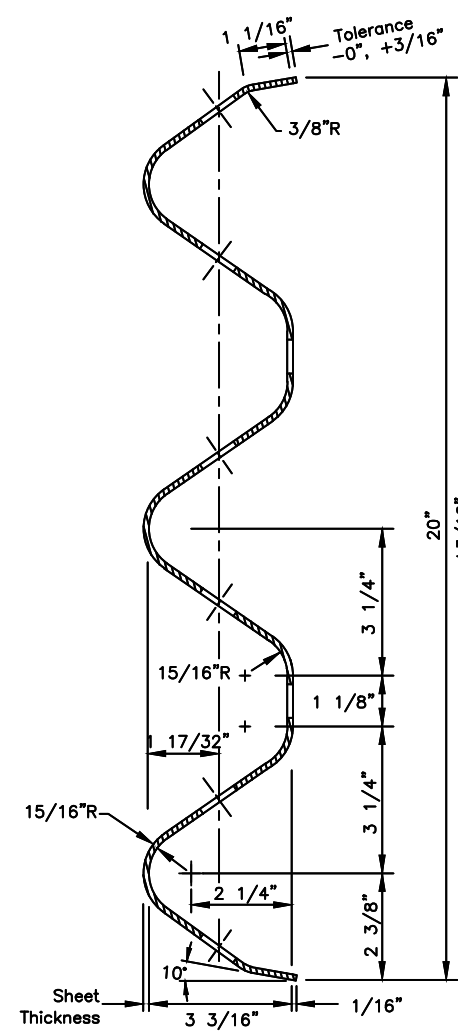
Last Code and Stds. Review
By: KLK Date: 7/8/2020
Next Code and Standards Review Date: 7/8/2030

GENERAL NOTES:

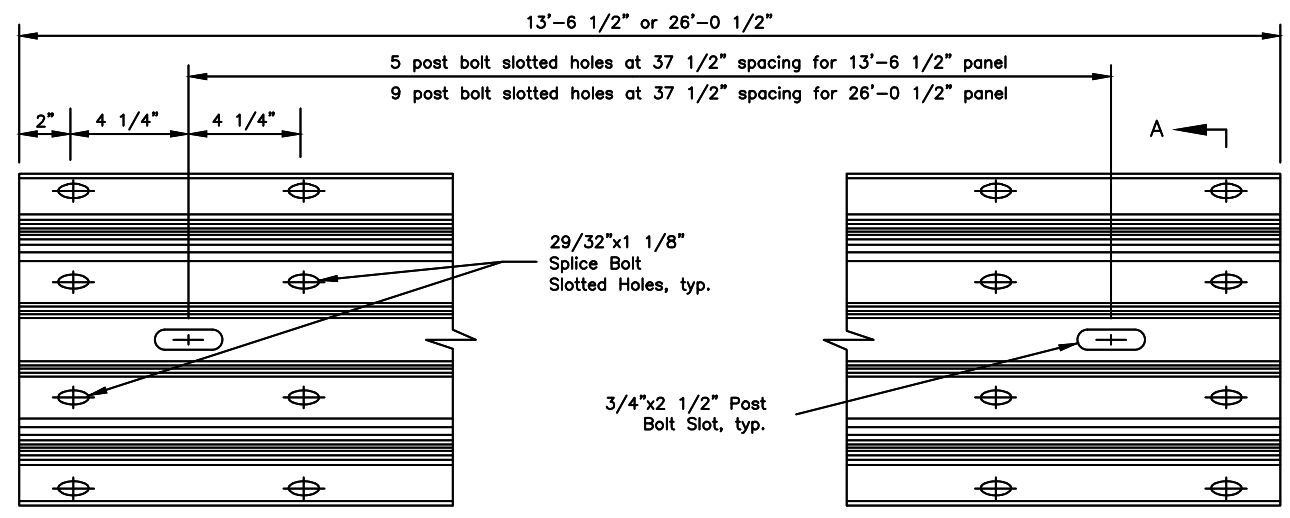
1. All covered hardware shall comply with the Task Force 13 (TF13) Guide to Standardized Roadside Safety Hardware online publication. Designators given when possible in parentheses.
2. Install back-up plates between blockouts and w-beam or thrie-beam rail at intermediate (non-splice) posts when steel blockouts are used but not with wood, rubber, plastic, or other approved blockouts.



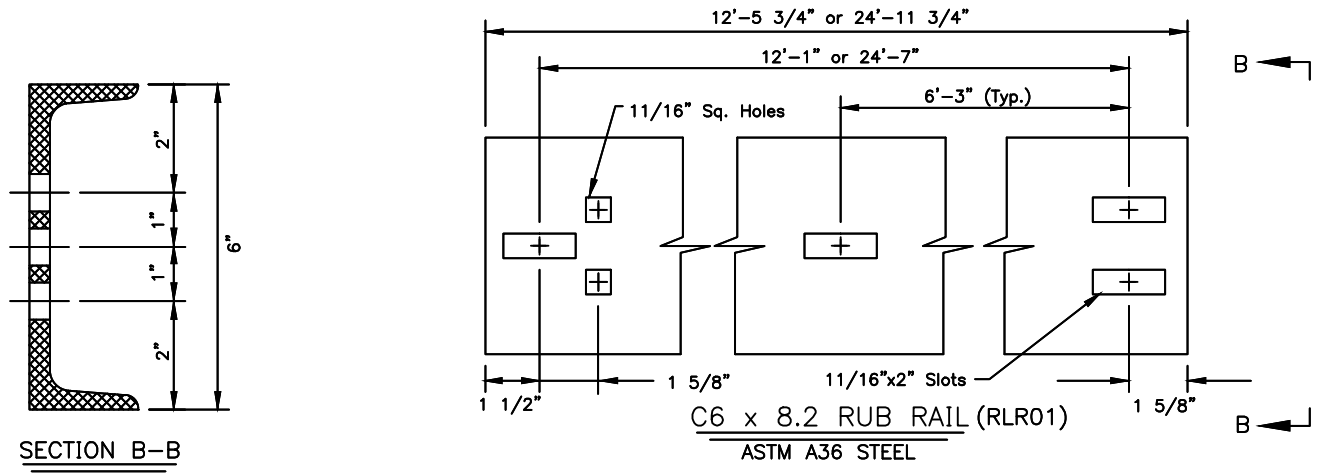
SECTION A-A
(cross section same as RWM02a-b)



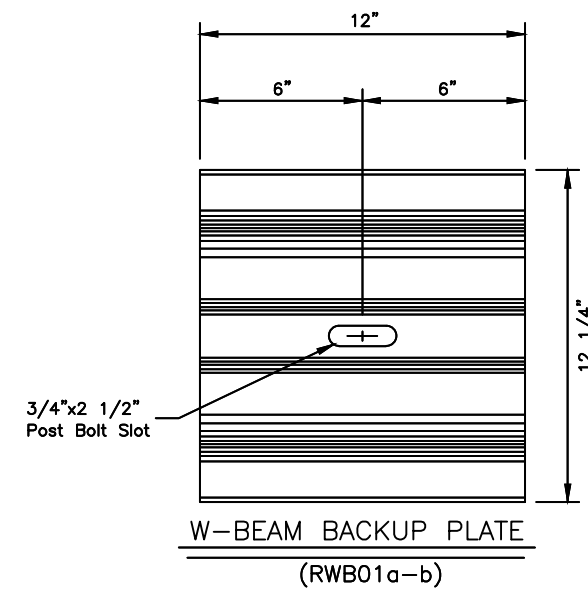
SECTION C-C
(RTM01a-02b)



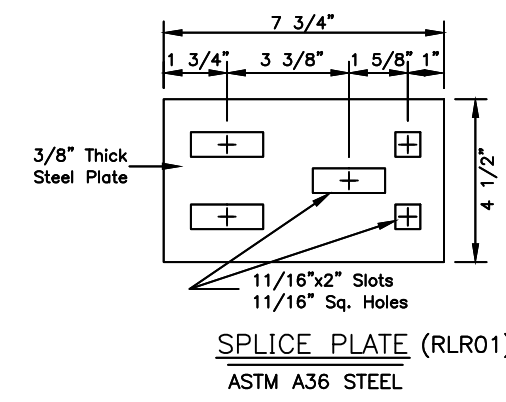
STANDARD W-BEAM PANEL (RWM04a-b)



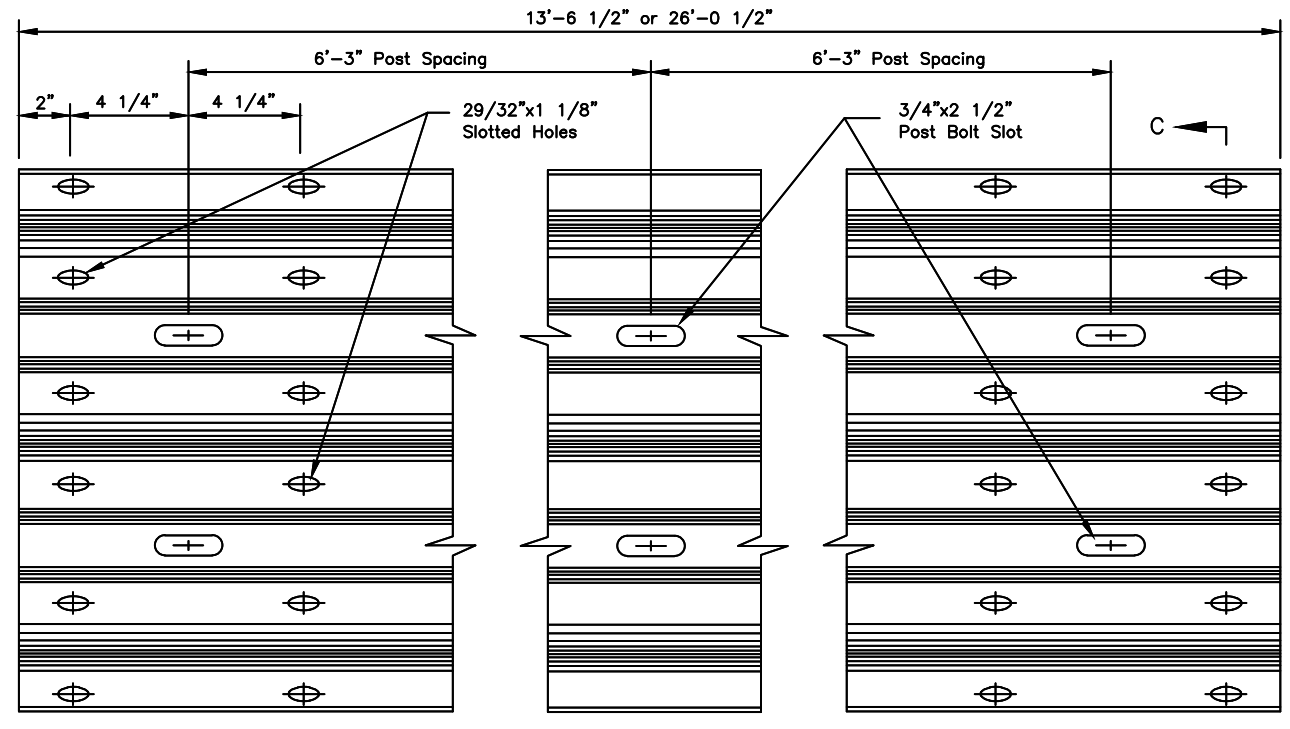
C6 x 8.2 RUB RAIL (RLR01)
ASTM A36 STEEL



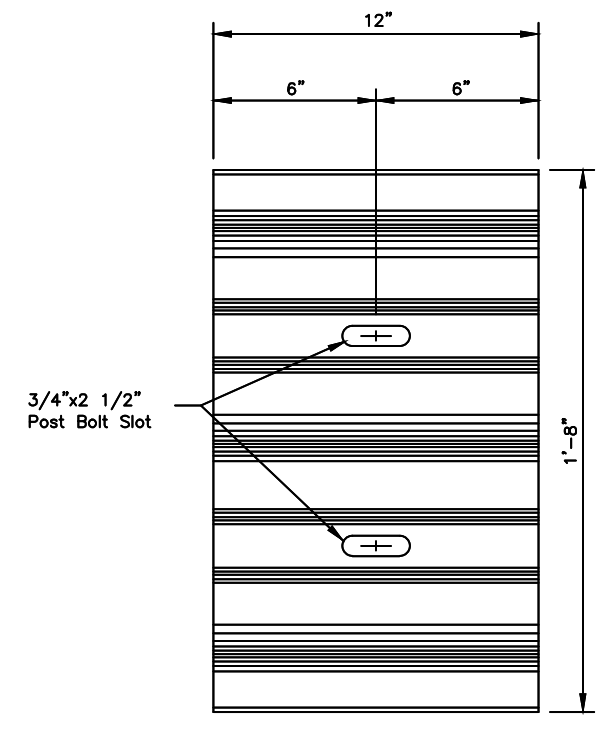
W-BEAM BACKUP PLATE (RWB01a-b)



SPLICE PLATE (RLR01)
ASTM A36 STEEL



STANDARD THRIE BEAM PANEL (RTM01a-02b)



THRIE BEAM BACKUP PLATE (RTB01a-02b)

State of Alaska DOT&PF
ALASKA STANDARD PLAN

**STANDARD GUARDRAIL
HARDWARE
(RAILS AND SPLICES)**

Adopted as an Alaska Standard Plan by: *Carolyn Morehouse*
Carolyn Morehouse, P.E.
Chief Engineer

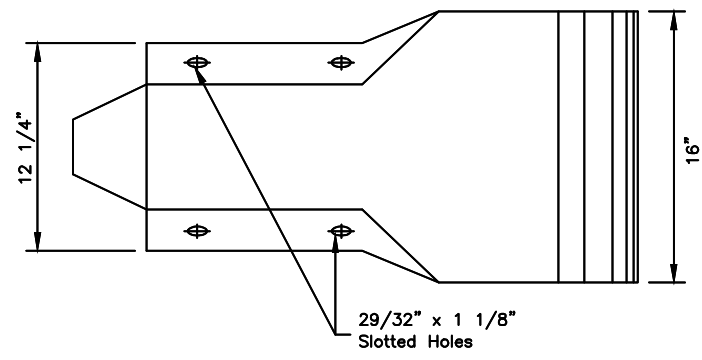
Adoption Date: 7/17/2020

Last Code and Stds. Review
By: KLK Date: 7/8/2020
Next Code and Standards Review Date: 7/8/2030

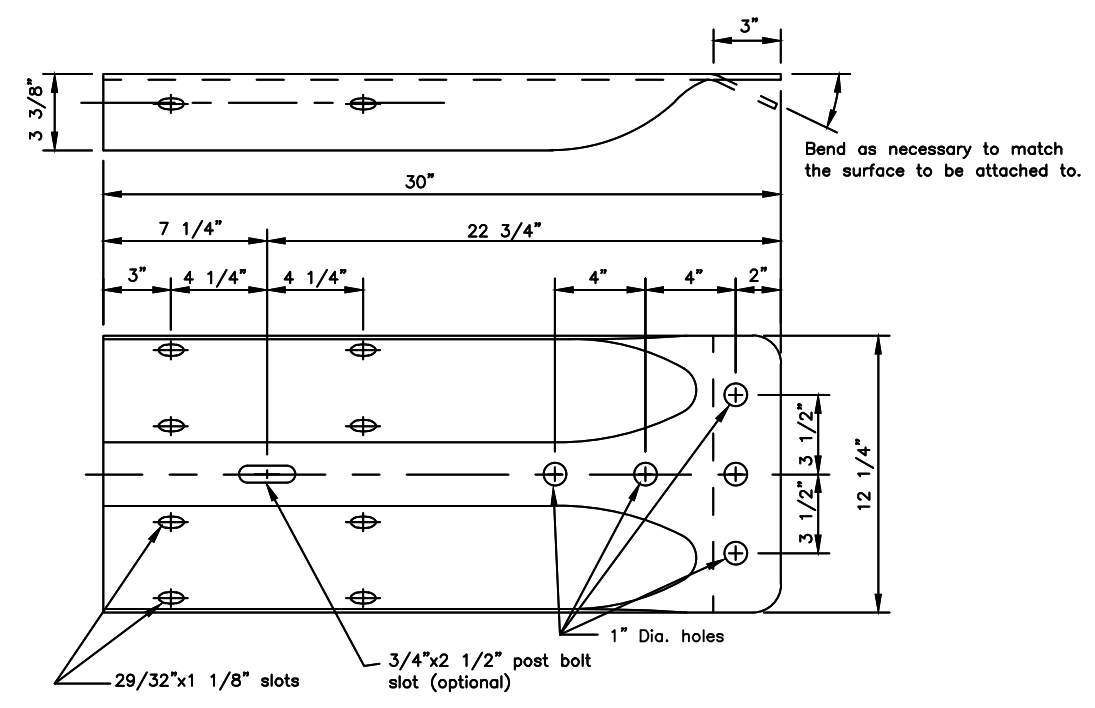
G-00.05

GENERAL NOTES:

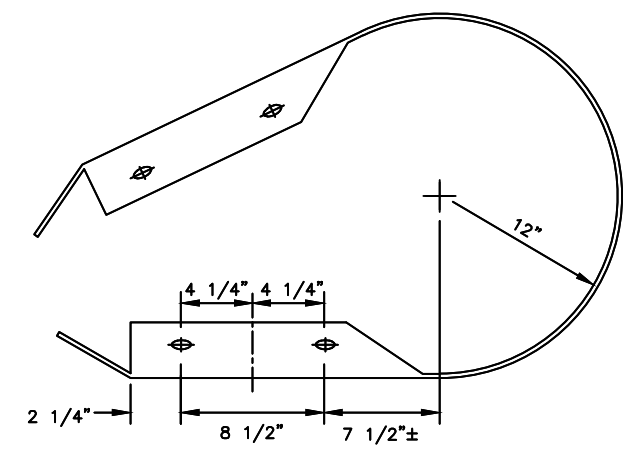
1. W-Beam and Thrie Beam Terminal Connectors shall conform to AASHTO M 180, Class B, Type II.
2. W-Beam end sections shall conform to AASHTO M 180, Class A, Type II.
3. All covered hardware shall comply with the Task Force 13 (TF13) Guide to Standardized Roadside Safety Hardware online publication. Designators given when possible in parentheses.



PROFILE

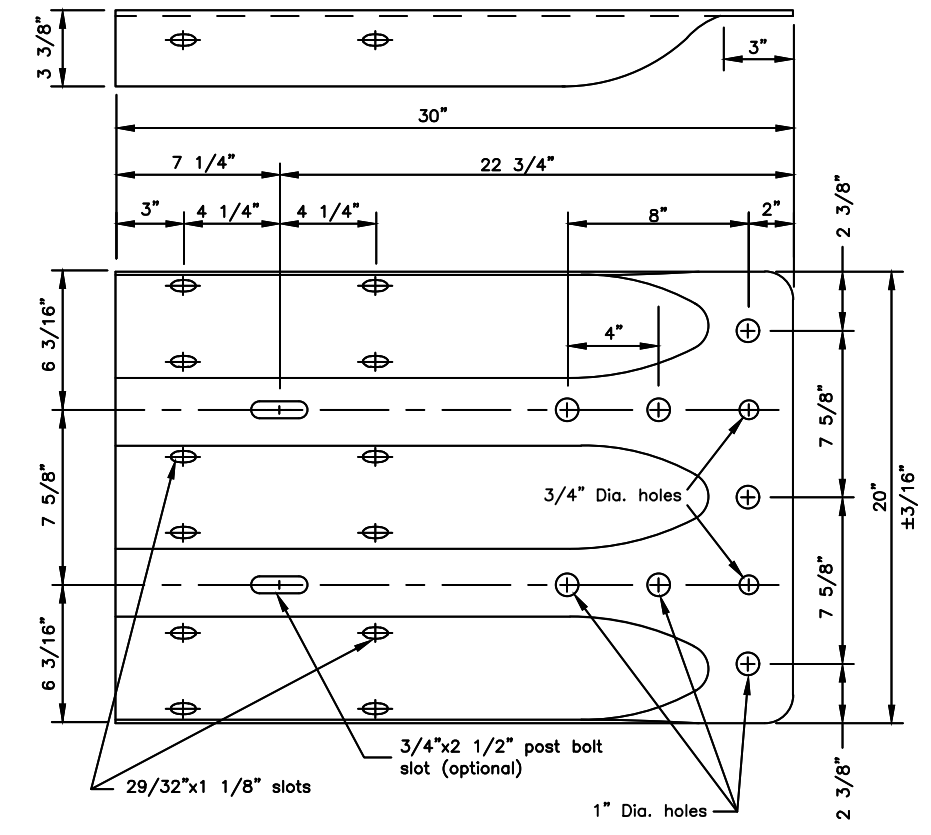


STANDARD W-BEAM TERMINAL CONNECTOR
(RWE02)



W-BEAM PLAN VIEW
*Radius to be specified on the plans

STANDARD W-BEAM END SECTION
(RWE06)



STANDARD THRIE BEAM TERMINAL CONNECTOR
(RTE01b)

State of Alaska DOT&PF
ALASKA STANDARD PLAN

STANDARD GUARDRAIL
HARDWARE
(TERMINAL CONNECTORS)

Adopted as an Alaska Standard Plan by: *Carolyn Morehouse*
Carolyn Morehouse, P.E.
Chief Engineer

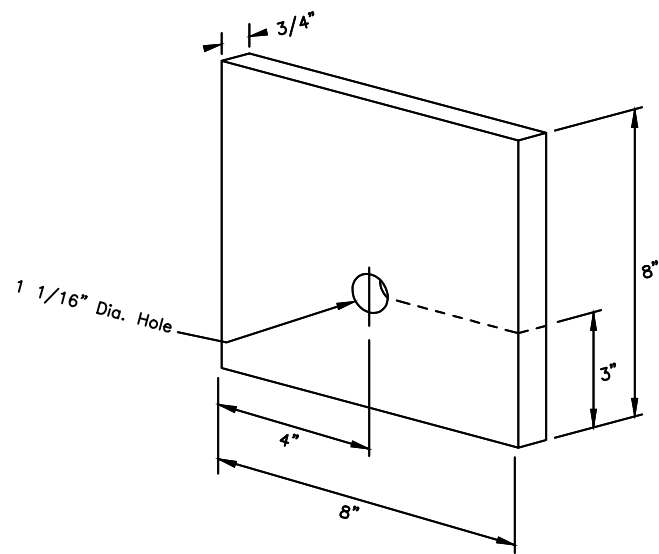
Adoption Date: 7/17/2020

Last Code and Stds. Review
By: KLK Date: 7/8/2020
Next Code and Standards Review Date: 7/8/2030

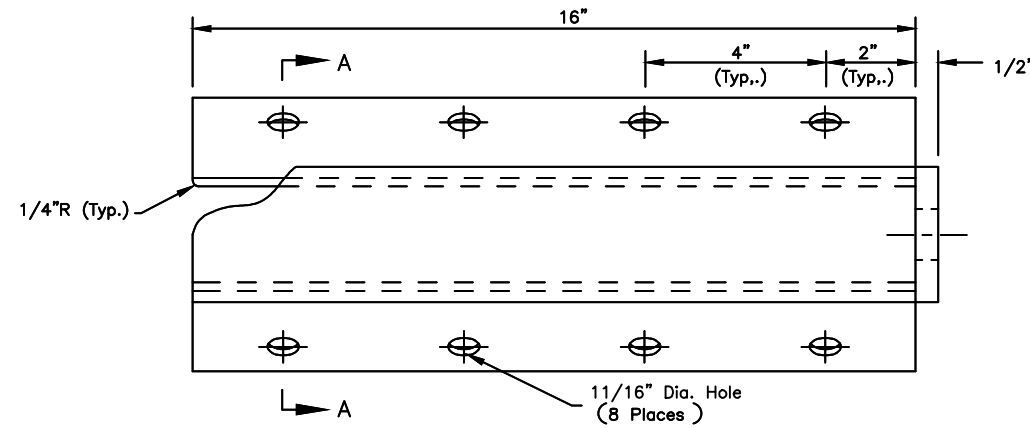
G-00.05

GENERAL NOTES:

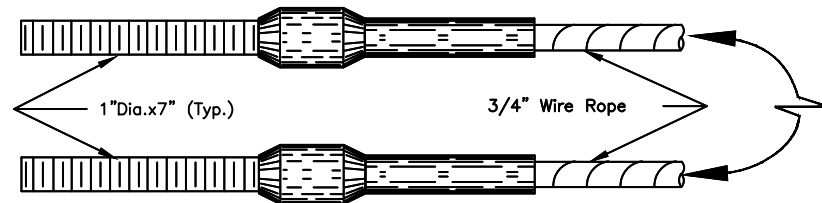
1. Cable Anchor Plate may be formed in single unit or welded fabrication.
2. Anchor Cable Assembly must conform to AASHTO M 30 with Type II Wire Rope.
3. Provide Sleeve for Wood Posts meeting the requirements of ASTM A53 and made of 2-inch galvanized standard pipe. Sleeve shall be a tight, pressed fit in post.
4. Attach radius ID plates to all shop-bent guardrail sections. Bolt the ID plates to the back side of the guardrail panel with the lower splice bolt nearest the P.C. of the radius.
5. Show the Rail bend radius, in feet, as "XX" on the radius ID plate. Digits shall be etched or stamped and have a min. height of 1 1/2" and a max. width of 3/4". Galvanize the plate after the digits are marked.
6. All covered hardware shall comply with the Task Force 13 (TF13) Guide to Standardized Roadside Safety Hardware online publication. Designators given when possible in parentheses.



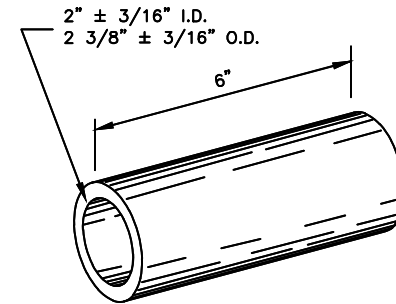
BEARING PLATE for CRT TERMINAL ANCHOR
(FPB01)



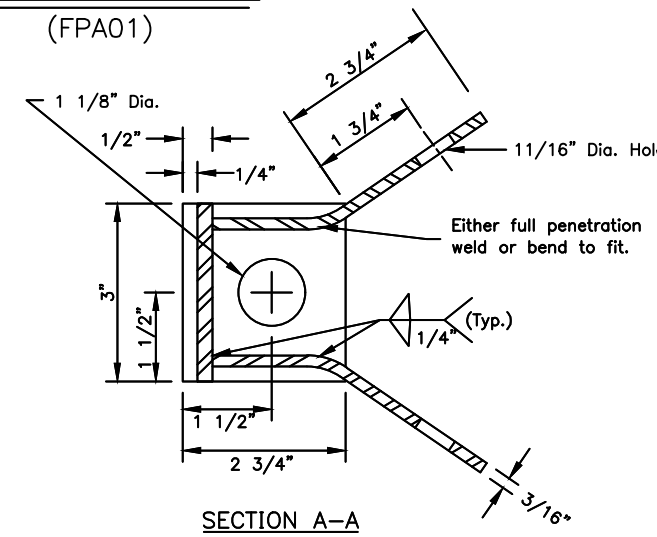
CABLE ANCHOR PLATE
(FPA01)



SWAGED FITTING DETAIL
(FCA01-02)

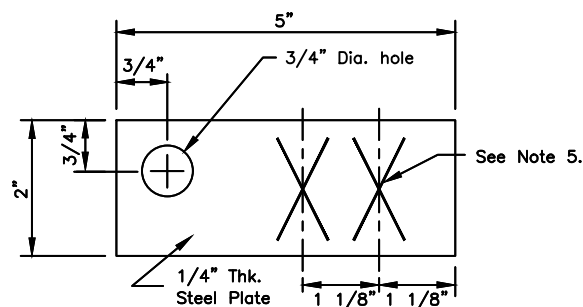


SLEEVE DETAIL
(FMM02)

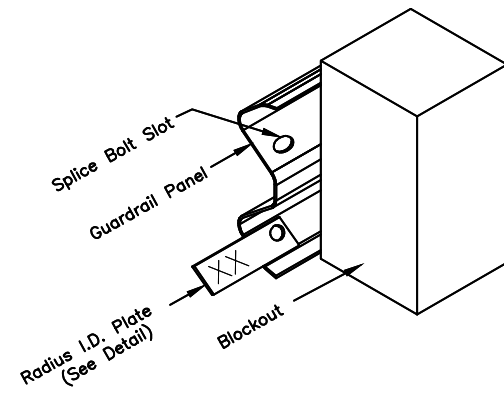


SECTION A-A

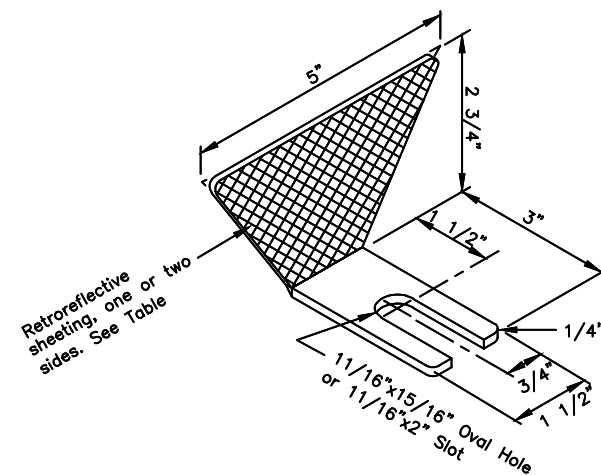
CONTROLLED RELEASE TERMINAL HARDWARE DETAILS



RADIUS I.D. PLATE



RADIUS I.D. PLATE
MOUNTING DETAIL



GUARDRAIL REFLECTOR

Guardrail Reflector Table

Type	Color	ReflectORIZED
A	White	Front & Rear
B	White	Front
C	Yellow	Front
D	Yellow	Front & Rear

State of Alaska DOT&PF
ALASKA STANDARD PLAN

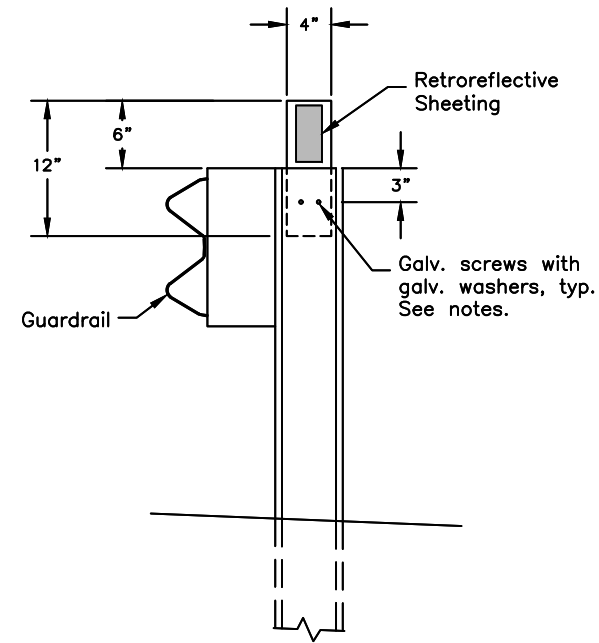
STANDARD GUARDRAIL
HARDWARE
(MISCELLANEOUS)

Adopted as an Alaska
Standard Plan by: *Carolyn Morehouse*
Carolyn Morehouse, P.E.
Chief Engineer

Adoption Date: 7/17/2020

Last Code and Stds. Review
By: KLK Date: 7/8/2020

Next Code and Standards Review Date: 7/8/2030



GUARDRAIL FLEXIBLE DELINEATOR DETAIL

(Steel post shown – similar for wood post)

CONSTRUCTION NOTES

1. Install guardrail flexible delineators where shown on the plans.
2. Install guardrail flexible delineators at 50 foot spacing, unless otherwise noted on the plans. Install not less than 2 delineators per guardrail run.
3. Use 3" x 5" white/yellow/red retroreflective sheeting as required per Standard Plan T-05. Install retroreflective sheeting on both sides of delineator on two-way roads.
4. Attach 4" x 12" flexible delineators to the top of new guardrail posts, on the trailing side of the posts relative to the adjacent lane's direction of travel.
5. Use 2 each 1/4" dia. x 1-1/2" long galvanized lag screws for attaching to wood posts and 2 each 1/4" dia. x 3/4" long galvanized self-drilling fasteners for steel posts. Install a galvanized washer between the fastener head and the flexible delineator.

State of Alaska DOT&PF
ALASKA STANDARD PLAN

STANDARD GUARDRAIL
HARDWARE
(FLEXIBLE DELINEATORS)

Adopted as an Alaska
Standard Plan by: *Carolyn Morehouse*
Carolyn Morehouse, P.E.
Chief Engineer

Adoption Date: 7/17/2020

Last Code and Stds. Review
By: KLK Date: 7/8/2020

Next Code and Standards Review Date: 7/8/2030

G-00.05